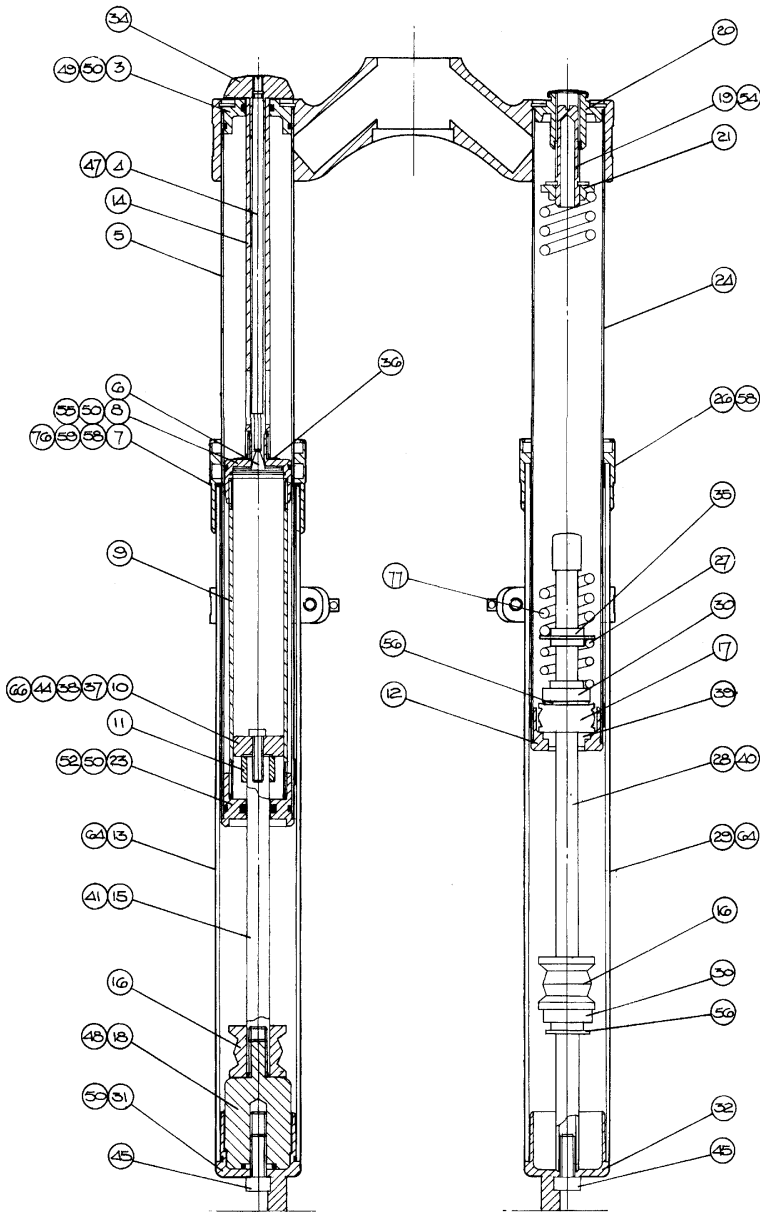




1999 RC36 | EVO2



| REF | DESCRIPTION | PART No | QTY |
|----------|--|-----------|-------|
| 7 | Air Seal.28.6mm.90 | SFUP-905 | 1 |
| 30 | Aluminium Shoulder Washer - Spring | | |
| | Push Rod | SF36-947 | 2 |
| 16 | Bottom out.901 | SFUP-901 | 2 |
| 18 | Bottom Spacer.(Damper Rod) | SF36-940 | 1 |
| | Bridge.M5.90(Not shown) | SFUP-925 | 2 |
| 58,29 | Carbon Leg Assembly LH.EVOII | SFA36-941 | 1 |
| 32 | | | |
| 76,59,58 | Carbon Leg Assembly RH.EVOII | SFA36-942 | 1 |
| 13 | | | |
| 50 | Cartridge Seal Kit EVOII | SFA36-902 | 1 |
| 6A | Circlip-Control valve.8901 | SFUP-801 | 1 |
| 19 | Circlip-crown.901 | SFUP-902 | 2 |
| 56 | Circlip-Spring Push Rod.901 | SFUP-903 | 2 |
| 6 | Control Valve | SF36-801 | 1 |
| 14,8,3 | Control Valve Assembly | SFAUP-938 | 1 |
| 47,34,36 | | | |
| 9,52 | Crown/Stanchion Assembly | SFA36-937 | 1 |
| 12,24,48 | | | |
| 41,15 | Damper Rod Assembly | SFA36-943 | 1 |
| 64 | Decal Kit - EVOII | SF36-944 | 1 Set |
| 39 | Heyco Shoulder Washer-Stan'Bot'Plug.901 (70 Travel*) | FOUP-924 | 1 |
| 54 | Low Profile Cap | SFUP-934 | 1 |
| 37 | M4x18 Socket Hd. Bolt-Piston. 56-901 | SFUP-502 | 1 |
| | M5x12 Csk.Bolt - Bridge. 901 (not shown) | SFUP-904 | 8 |
| | M5x16 Low Head. - Crown. 7890 (not shown) | SFUP-709 | 2 |
| | M5x18 Button Hd Bolt. - Brake Boss Clamp. 7890(not shown) | SFUP-710 | 2 |
| 45 | M6x16 Socket Hd.-Dropouts | SFUP-945 | 2 |
| 77 | Main Spring.Medium Rate. 90 | SFUP-932 | 1 |
| 5 | O-Ring 21x1-Travel Indicator.5678901 | SFUP-503 | 1 |
| 66,44,38 | Piston Assembly - Piston | SFA36-901 | 1 |
| 10 | Piston Assembly - Reed Valve | SFA36-901 | 1 |
| 40 | Plastic End Tip | SFUP-001 | 1 |
| 20 | Pre-Load Adjuster Housing. 90 | SF36-930 | 1 |
| 21 | Preload Adjuster.90 | SF36-931 | 1 |
| 31 | Schrader Valve Kit EVOII | SFUP-946 | 1Kit |
| 35 | Spring Guide.Main/Sup. 90 | SFUP-921 | 1 |
| 28 | Spring Push Rod Assembly | SF36-926 | 1 |
| 27 | Supplementary Spring. 890 | SFUP-813 | 1 |
| 17 | Top Out Elastomer. 90 | SFUP-929 | 1 |
| 11 | Top Out.R.H Leg. 8901 | SFUP-803 | 1 |
| 26 | Wiper seal-28.6mm. 2345678901 | SFUP-201 | 2 |

